

Programlı Sayıcı BVa 15



- Sabit ayarlı 3 veya 5 haneli toplayıcı programlı sayıcı
- Ön seçim sürekli görülebilir ve operasyon esnasında değiştirilebilir
- Manüel sıfırlama
- Potansiyelsiz komutatör sistemi (mikro switch) Seçilen rakam sıfırlanana kadar anahtar açık kalır

- Ön panelsiz sayıcılar F2B panel çerçevelerine uyar ve 50 x 50'lik bloklara kombine edilebilir
- B-, MVs 36- ve Hva serileriyle uyumludur
- Kullanım alanları: adet sayımı, otomasyon

Teknik Özellikler:

Electrical connection:	Silver-plated tabs ø 1.6 mm with push-on connectors (counter) Silver plated tabs 0.8 x 2.8 mm (socket box)
Rated voltages:	Counting mechanism: 12/24/48/115 V DC ± 10 % 24/48/115/230 V AC ± 10 %
Figures :	Counter 4.5 mm , Preset 4 mm
Colour of housing:	Black
Colour of figures:	Counter: white on black , Preset: yellow on black
Shaft:	stainless steel
Mounting position:	optional
Service life:	appr. 100 x 10 ⁶ Pulse
Weight:	appr. 130 g
Test voltage:	2000 V, effective
Switching contact:	1 change over contact (micro switch), release in 2nd half-step on the preset number

Loading (max):	AC:	250 V AC, 2 A
	DC:	24 V DC, 2 A 60 V D. 0,7 A 115 V DC, 0,4 A 230 V DC, 0,2 A, at resistive Load.
Suitable spark quenching is required on inductive load, reducing the max. current to 60%		
Options:	<ul style="list-style-type: none"> - Key locking 0-reset - Knob locking transparent cover IP 55 - Key lock transparent cover - Flexible sealing cover K2 - Screw terminal 	

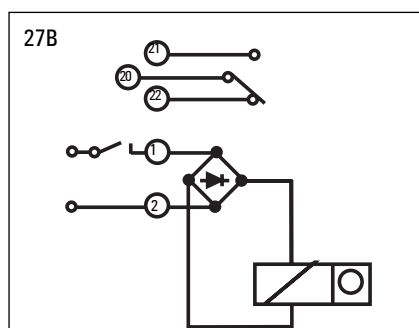
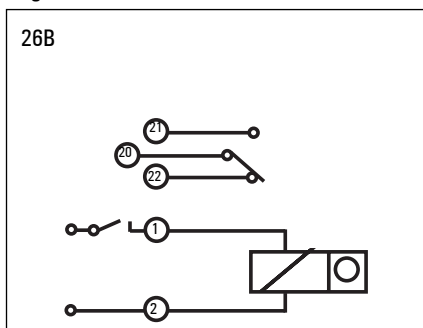
Seri:

Manual reset		Description
5 digit	3 digit	
BVa 15.01	BVa 15.01/3	no front frame
BVa 15.11	BVa 15.11/3	front frame 1 with mounting holes
BVa 15.21	BVa 15.21/3	front frame 2 with spring clip
BVa 15.31	BVa 15.31/3	front bezel 3 with mounting holes

Sayma Mekanizması

Voltage	Model	max. CP7s	Min. pulse-duration	Min. pulse-interval	Pulse-ratio	On time	Power consumption	Ripple voltage max.	Ambient temperature °C
V DC	1	25/sec	24 ms	16 ms	3:2	100 %	3 W	48 %	-10 ... +60 °C
V AC	a	18/sec	27.7 ms	27.7 ms	1:1	100%	3 VA	-	-10 ... +55 °C

Baglanti Semasi:



Elektromekanik Programlı Sayıcılar

Options:

- Key locking 0-reset:
- Colour housing grey Art-No. 2.1X0XX6.XXX
- Colour housing black Art-No. 2.1X0.XX7.XXX
- Key locking transparent cover (IP55)
- Counter with front plate size 3
- Art-No. 2.1X0.8XX.XXX
- Flexible sealing cover K2 (IP 54)
- Counter with front frame no. 3
- Art-No. 2.1X0.6XX.XXX

Delivery specification:

Counter complete with push-on connectors

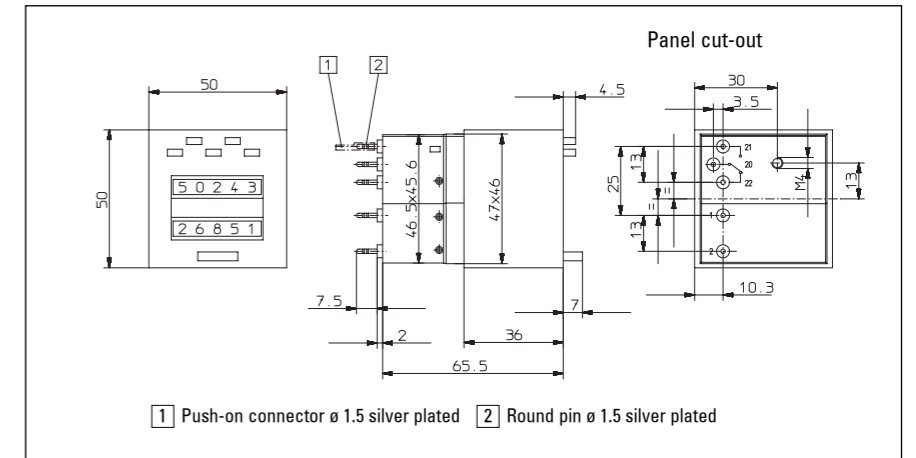
Accessories:

- Socket box 946.1
- Sealing cover K2
- Front frame F2B

Order information:

- Art-No.
- If special voltages ... are requested, please state exact counter type, voltage and model e.g. BVa 15.31, 12 V DC...

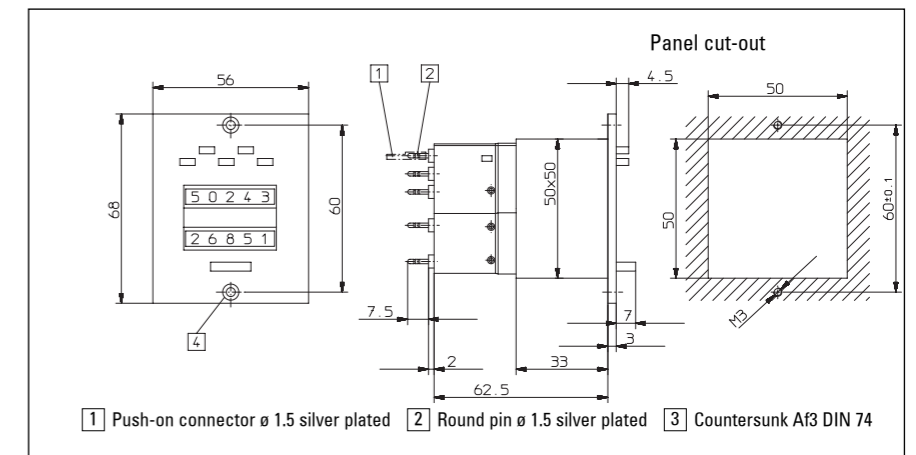
Tip BVa 15.01



	BVa 15.01			BVa 15.01/3		
	24 V Art-No.	115 V Art-No.	230 V Art-No.	24 V Art-No.	115 V Art-No.	230 V Art-No.
DC (25 Imp/s)	2.100.012.033	-	-	2.120.012.033	2.120.012.064	2.120.012.066
AC (18 Imp/s)	2.100.012.061	2.100.012.064	2.100.012.066	2.120.012.061	2.120.012.064	2.120.012.066

Colour of housing black:
Art-No. 2.1X0.011.XXX

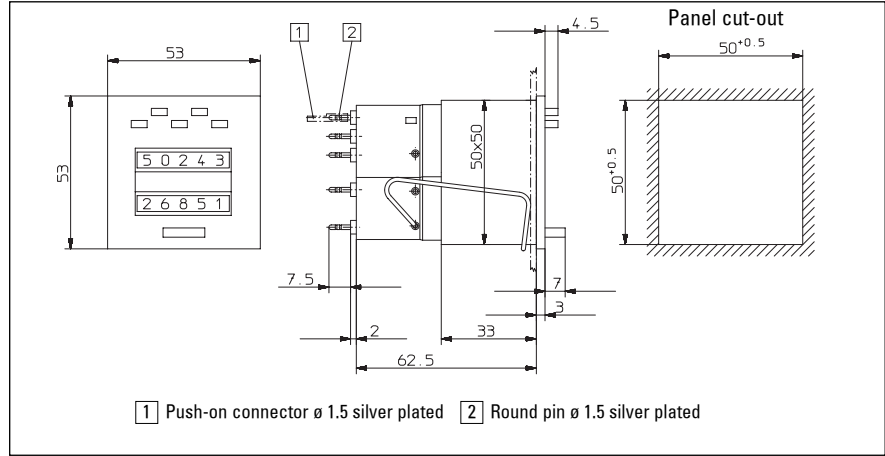
Tip BVa 15.11



	BVa 15.11			BVa 15.11/3		
	24 V Art-No.	115 V Art-No.	230 V Art-No.	24 V Art-No.	115 V Art-No.	230 V Art-No.
DC (25 Imp/s)	2.100.110.033	-	-	2.120.110.033	2.120.110.064	2.120.110.066
AC (18 Imp/s)	2.100.110.061	2.100.110.064	2.100.110.066	2.120.110.061	2.120.110.064	2.120.110.066

Colour of housing black:
Art-No. 2.1X0.111.XXX

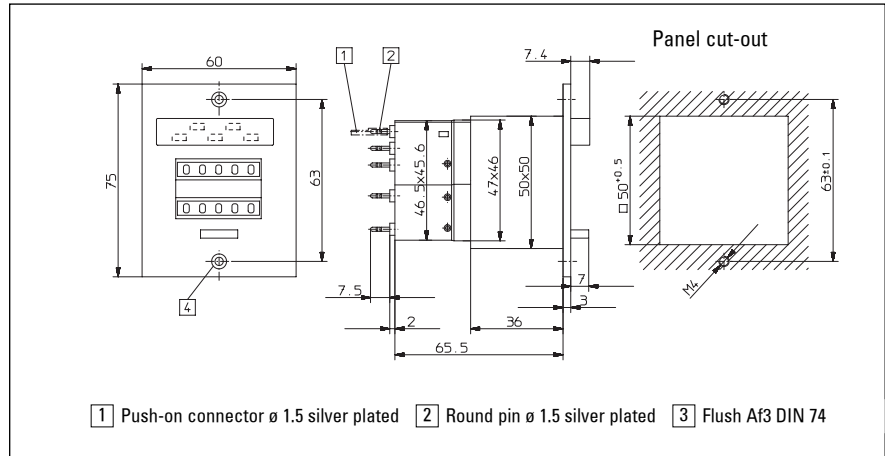
Tip BVa 15.21



	BVa 15.21			BVa 15.21/3		
	24 V Art-No.	115 V Art-No.	230 V Art-No.	24 V Art-No.	115 V Art-No.	230 V Art-No.
DC (25 Imp/s)	2.100.210.033	-	-	2.120.012.033	-	-
AC (18 Imp/s)	2.100.210.061	2.100.210.064	2.100.210.066	2.120.210.061	2.120.210.064	2.120.210.066

Colour of housing
black:
Art-No. 2.1X0.211.XXX

Tip BVa 15.31



	BVa 15.11			BVa 15.11/3		
	24 V Art-No.	115 V Art-No.	230 V Art-No.	24 V Art-No.	115 V Art-No.	230 V Art-No.
DC (25 Imp/s)	2.100.310.033	-	-	2.120.110.033	-	-
AC (18 Imp/s)	2.100.310.061	2.100.310.064	2.100.310.066	2.120.310.061	2.120.310.064	2.120.310.066

Colour of housing
black:
Art-No. 2.1X0.311.XXX

Options:

Key-locking 0-reset:

Colour of housing grey: Art-No. 2.1X0XX6.XXX

Colour of housing black: Art-No. 2.1X0.XX7.XXX

Knob-locking transparent cover (IP55)

Counter with front plate size 3

Art-No. 2.1X0.8XX.XXX

Flexible sealing cover K2 (IP 54)

Counter with front plate size 3

Art-No. 2.1X0.6XX.XXX