

## Zaman Saati H57



### Genel Özellikler:

- 7 veya 8 haneli çalışma saati sayıcısı, sıfırlamasız
- Yüksek düzeyde şok ve darbe dayanımı
- Küçük ebat; mercekli ekran; uzun ömür; kolay montaj
- IP 52 koruma sınıfı; UL- Onayı

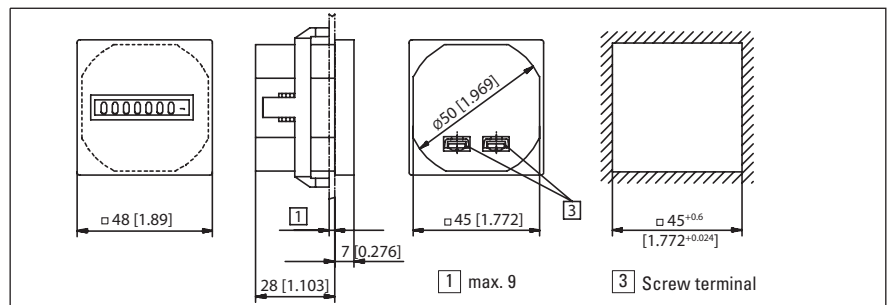
- Elektrik kesintilerinde değerini korunur
- Kullanım alanları:  
Genel zaman sayımı, ölçüm cihazlarının bakım süreleri tespiti, UV-lambaları, küçük cihazlar, araçlarda bulunan gösterge panelleri v.s



### Teknik Özellikler:

Electrical connection:	screw terminal for cable diameter up to 2.5 mm <sup>2</sup> [1612.9 square inch] tightening torque max. 0.8 Nm	Weight:	H 57: 48 g [1.673 oz]; AH 57: 84 g [2.963"]
Power consumption:	10 ... 30 V DC: approx. 500 mW 100 ... 130 V DC: approx. 750 mW 20 ... 30 V AC, 50 Hz: approx. 0.3 VA 42 ... 48 V AC, 50 Hz: approx. 0.25 VA 100 ... 130 V AC, 50 Hz: approx. 0.6 VA 187 ... 264 V AC, 50 Hz: approx. 1.2 VA 360 ... 440 V AC, 50 Hz: approx. 1.65 VA	Base mount socket No. 48	36 g [1.27"]
Rated voltages:	20...30/42...48/100...130/187...264/360...440 V AC, 50 or 60 Hz, 10...30/100...130 V DC	Slip-on bezel 55	8 g [0.282"]
On time:	100 %	Slip-on bezel 72	13 g [0.459"]
Display:	7 at AC 99999.99 8 at DC 999999.99	Operating indicator of the running time meter:	
Accuracy:	AC: Supply frequency + 30 ms DC: < 0.003 % (24 h)	AC:	Fast rotating wheel with red dashes
Count mode:	adding	DC:	1/100 h display turns continuously by 1 digit in 36 s
Height of figures:	4 mm [0.158"]	Test voltage:	2000 V AC, 50 Hz for AC counters
Colour of figures:	white and red on black	Options:	further voltages on request
Ambient temperature:	-15 ... +50°C [5 ... 122 °F]	Counter with wire entry from behind, screw fixing from rear.	Art-No. 3.228.401.XXX.044
Mounting position:	any	Colour of housing:	grey: Art-No. 3.22X.400.XXX
Protection:	up to IP 52, DIN 40 050 front side	Flat pin	0.8 x 6.3 mm [0.032 x 0.248"] Art-No. 3.228.401.XXX
Housing:	plastic	Welded cover (IP 65 from front)	
		IP 65 version:	order code: 3.22X.XXX.XXX.422
		Seals required between the counter and the bezel:	
		H 57:	N.511.018
		H 57.55:	N.511.018 + N.511.017
		H 57.72:	N.511.018 + N.511.016
		(with the IP 65 version, the seal is included in the delivery)	
		Approvals:	UL for USA and Canada E128604

### H 57



Voltage	Art-No. (AC), 50 Hz	Art-No. (AC), 60 Hz	Art-No. (V DC)
10 ... 30			3.220.401.351*
20 ... 30	3.220.401.071*	3.220.401.081*	
42 ... 48	3.220.401.072	3.220.401.082	
100 ... 130	3.220.401.074*	3.220.401.084*	3.220.401.381
187 ... 264	3.220.401.075*	3.220.401.085*	
360 ... 440	3.220.401.079	3.220.401.089	

\*standard stock model

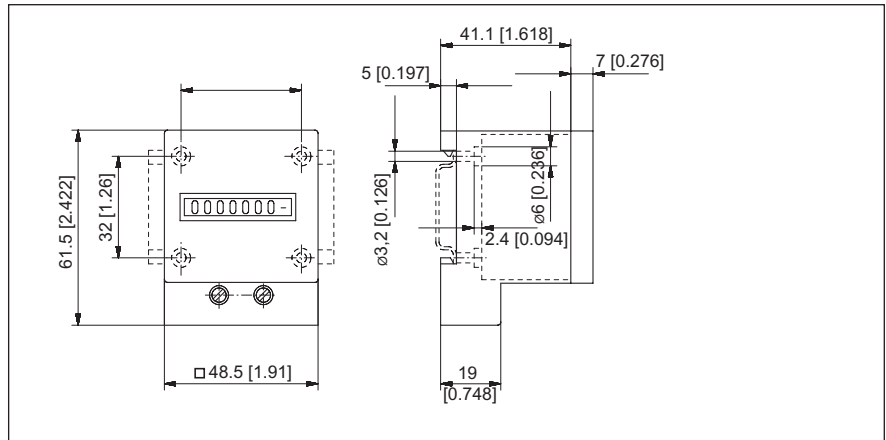
Further standard stock models:  
3.220.401.075.422 187 ... 264 V AC, IP 65  
3.220.401.351.422 10 ... 30 V DC, IP 65

## Type series AH 57

AH 57



New:  
5 years warranty



Voltage	Art-No. (AC), 50 Hz	Art-No. (AC), 60 Hz	Art-No. (V DC)
10 ... 30			3.223.401.351*
20 ... 30	3.223.401.071	3.223.401.081	
42 ... 48	3.223.401.072	3.223.401.082	
100 ... 130	3.223.401.074*	3.223.401.084 *	3.223.401.381
187 ... 264	3.223.401.075*	3.223.401.085*	
360 ... 440	3.223.401.079	3.223.401.089	

\*standard stock model

### Slip-on bezel 55 x 55

black: Art-No. T008.171  
grey: Art-No. T008.170



### Slip-on bezel 72 x 72

black: Art-No. T008.177  
grey: Art-No. T008.176



### Slip-on bezel 55 x 55

black: Art-No. G008.040  
grey: Art-No. G008.041



For hour meter H57 with flat pins  
Art-No. 3.228.401.XXX

### Slip-on bezel Ø 72 for Panel cut-out Ø 60 mm, colour black Art-No. N.510.226

