

Tip seri HK 17



Genel Özellikler:

- 7 veya 8 haneli çalışma saati sayıcısı, sıfırlamasız
- Yüksek düzeyde şok dayanımı
- Küçük ebat; mercekli ekran; uzun ömür
- Önden IP 65 koruma sınıfı; UL- Onayı

- Elektrik kesintilerinde değerini korunur
- Kullanım alanları: Genel zaman sayımı, ölçüm cihazlarının bakım süreleri tespiti, UV-lambaları, küçük cihazlar, araçlarda bulunan gösterge panelleri v.s

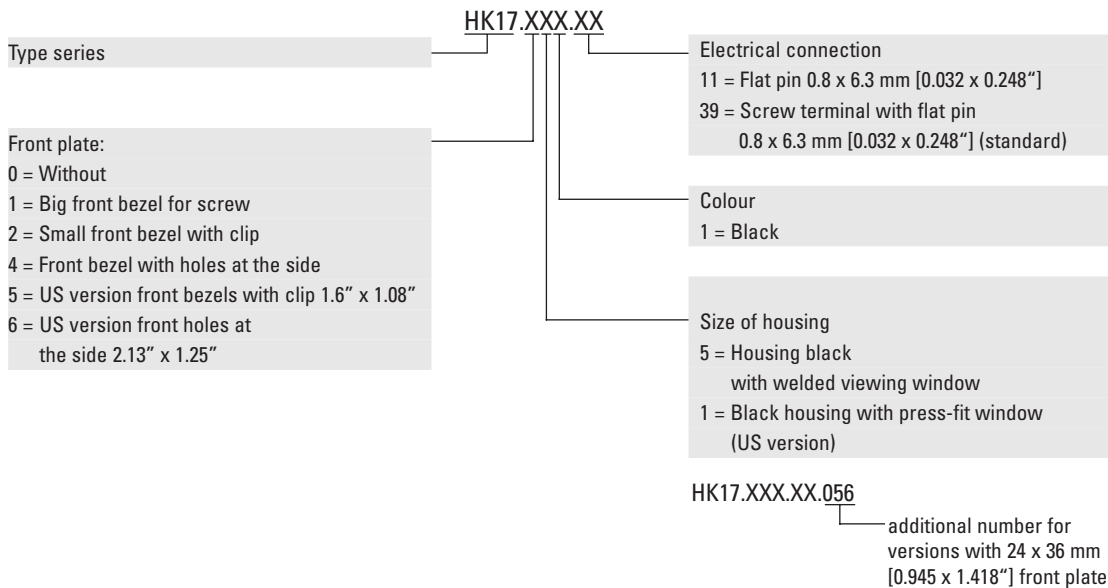


Teknik Özellikler:

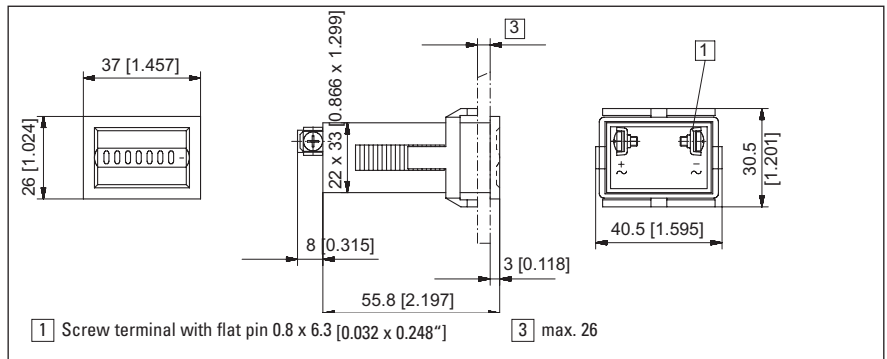
Electrical connection:	Flat pins 0.8 x 6.3 mm [0.032 x 0.248"] with screw terminals or flat pins 0.8 x 6.3 mm [0.032 x 0.248"] tightening torque max. 0,8 Nm
Power consumption:	10 ... 30 V DC: approx. 500 mW 36 ... 80 V DC: approx. 900 mW 100 ... 130 V DC: approx. 750 mW 20 ... 30 V AC, 50 Hz: approx. 0.3 VA 42 ... 48 V AC, 50 Hz: approx. 0.25 VA 100 ... 130 V AC, 50 Hz: approx. 0.6 VA 187 ... 264 V AC, 50Hz: approx. 1.2 VA 360 ... 440 V AC, 50 Hz: approx. 1.65 VA
Rated voltages:	20 ... 30, 42 ... 48, 100 ... 130, 187 ... 264, 360 ... 440 V AC 50 or 60 Hz, 10 ... 30, 36 ... 80, 100 ... 130 V DC
Display:	7 at AC: 99999.99 8 at DC: 999999.99

Accuracy:	AC: supply frequency +30 ms DC: <0.003 % (at 24 h)
Height of figures:	3.8 x 1.7 mm [1.496 x 0.67] magnified
Colour of figures:	white and red on black
Ambient temperature:	-15 ... +50 °C [5 ... 122 °F]
Mounting position:	any
Protection:	IP 65 front side
UL:	File E128604
Housing:	Plastic, types with Protection IP 65 are sealed
Weight:	approx. 40 g [1.411 oz]
Options:	Counter with flat pin 0.8 x 6.3 mm [0.032 x 0.248"] Art. no. 3.138.X51.XXX

Order code:

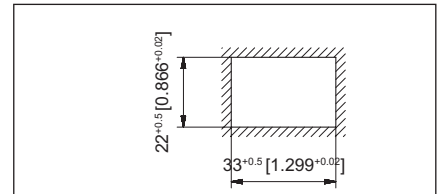


HK 17.251.39

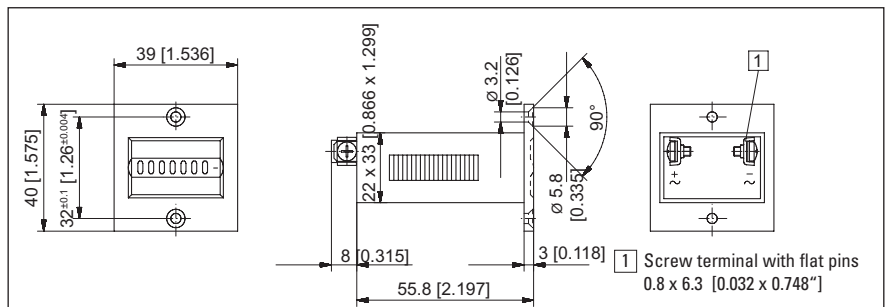


Voltage	Art-No. (AC), 50 Hz	Art-No. (AC), 60 Hz	Art-No. (V DC)
10 ... 30			3.130.251.351
20 ... 30	3.130.251.071	3.130.251.081	
36 ... 80			3.130.251.353
42 ... 48	3.130.251.072	3.130.251.082	
100 ... 130	3.130.251.074	3.130.251.084	3.130.251.381
187 ... 264	3.130.251.075	3.130.251.085	
360 ... 440	3.130.251.079	3.130.251.089	

Panel cut-out

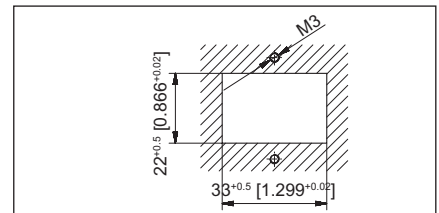


HK 17.151.39

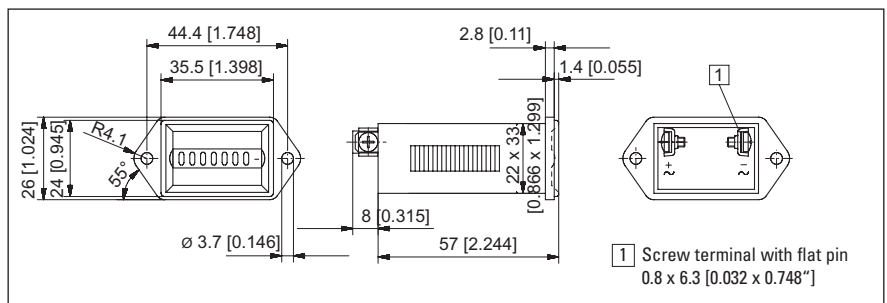


Voltage	Art-No. (AC), 50 Hz	Art-No. (AC), 60 Hz	Art-No. (V DC)
10 ... 30			3.130.151.351
20 ... 30	3.130.151.071	3.130.151.081	
36 ... 80			3.130.151.353
42 ... 48	3.130.151.072	3.130.151.082	
100 ... 130	3.130.151.074	3.130.151.084	3.130.151.381
187 ... 264	3.130.151.075	3.130.151.085	
360 ... 440	3.130.151.079	3.130.151.089	

Panel cut-out

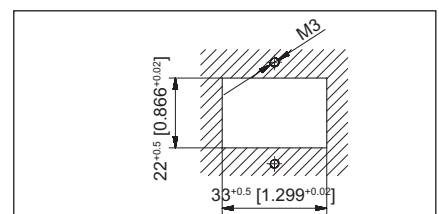


HK 17.451.39



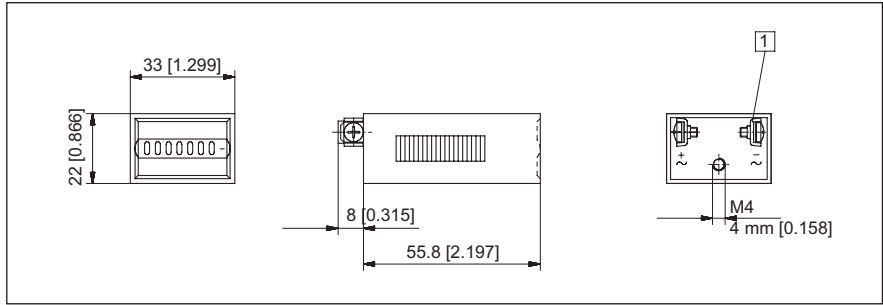
Voltage	Art-No. (AC), 50 Hz	Art-No. (AC) 60 Hz	Art-No. (V DC)
10...30			3.130.451.351
20...30	3.130.451.071	3.130.451.081	
36...80			3.130.451.353
42...48	3.130.451.072	3.130.451.082	
100...130	3.130.451.074	3.130.451.084	3.130.451.381
187...264	3.130.451.075	3.130.451.085	
360...440	3.130.451.079	3.130.451.089	

Panel cut-out



Time meter

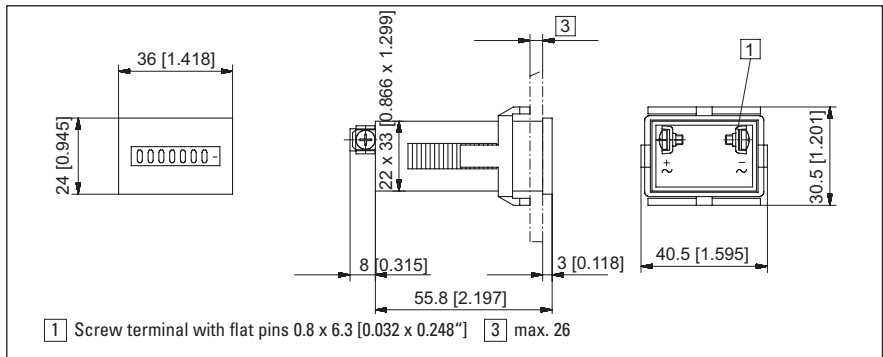
HK 17.051.39



Voltage	Art-No. (AC), 50 Hz	Art-No. (AC), 60 Hz	Art-No. (V DC)
10 ... 30			3.130.051.351
20 ... 30	3.130.051.071	3.130.051.081	
36 ... 80			3.130.051.353
42 ... 48	3.130.051.072	3.130.051.082	
100 ... 130	3.130.051.074	3.130.051.084	3.130.051.381
187 ... 264	3.130.051.075	3.130.051.085	
360 ... 440	3.130.051.079	3.130.051.089	

1 Screw terminal with flat pins 0.8 x 6.3 [0.032 x 0.248"]

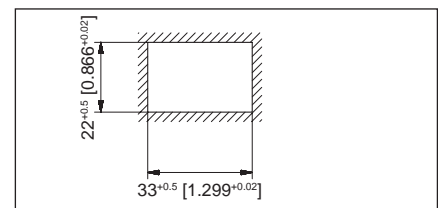
HK 17.251.56



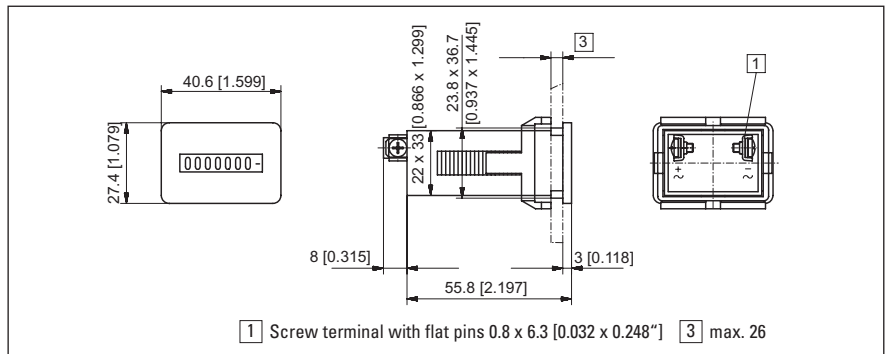
1 Screw terminal with flat pins 0.8 x 6.3 [0.032 x 0.248"] 3 max. 26

Voltage	Art-No. (V AC), 50 Hz	Art-No. (V AC), 60 Hz	Art-No. (V DC)
10 ... 30			3.130.251.351.056
20 ... 30	3.130.251.071.056	3.130.251.081.056	
36 ... 80			3.130.251.353.056
42 ... 48	3.130.251.072.056	3.130.251.082.056	
100 ... 130	3.130.251.074.056	3.130.251.084.056	3.130.251.381.056
187 ... 264	3.130.251.075.056	3.130.251.085.056	
360 ... 440	3.130.251.079.056	3.130.251.089.056	

Panel cut-out

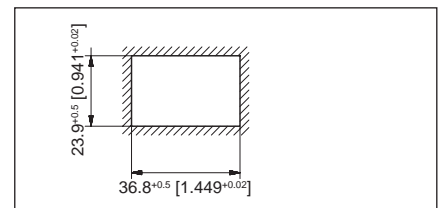


HK 17.511

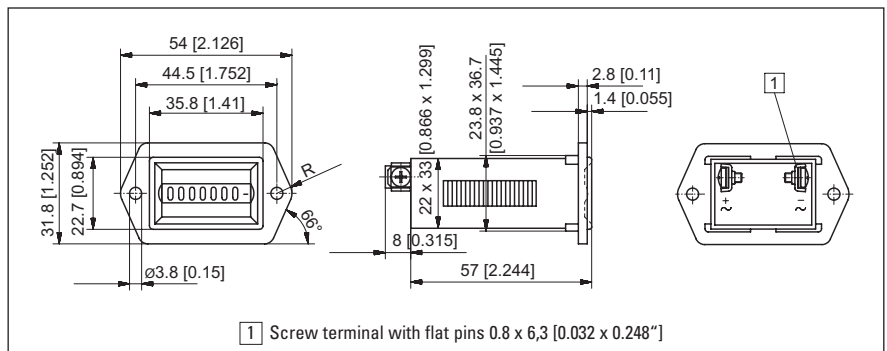


Voltage	Art-No. (AC), 50 Hz	Art-No. (AC), 60 Hz	Art-No. (V DC)
10 ... 30			3.130.511.351
20 ... 30	3.130.511.071	3.130.511.081	
36 ... 80			3.130.511.353
42 ... 48	3.130.511.072	3.130.511.082	
100 ... 130	3.130.511.074	3.130.511.084	3.130.511.381
187 ... 264	3.130.511.075	3.130.511.085	
360 ... 440	3.130.511.079	3.130.511.089	

Panel cut-out



HK 17.611



Voltage	Art-No. (AC), 50 Hz	Art-No. (AC), 60 Hz	Art-No. (V DC)
10 ... 30			3.130.611.351
20 ... 30	3.130.611.071	3.130.611.081	
36 ... 80			3.130.611.353
42 ... 48	3.130.611.072	3.130.611.082	
100 ... 130	3.130.611.074	3.130.611.084	3.130.611.381
187 ... 264	3.130.611.075	3.130.611.085	
360 ... 440	3.130.611.079	3.130.611.089	

Panel cut-out

