

Mikro Zaman Saatleri HK 46/HK 47



Genel Özellikler:

- 6 veya 7 haneli Mikro tip çalışma saati sayıcısı
- Ekonomik fiyat; küçük ebat; mercekli ekran; yüksek darbe dayanımı
- Pille kullanıma uygun, düşük güç tüketimi
- Yaylı klipslerle gömme montaj imkanı (HK 46.20/ HK 47.20)
- PCB-Montaj versiyonu (HK 46.80/ HK 47.80)
- Makine lehimine uygun ve suya karşı dayanıklı (HK 47.80)

- IP 65 koruma sınıfı; uzun ömürlü
- Elektrik kesintilerinde değerini korunur

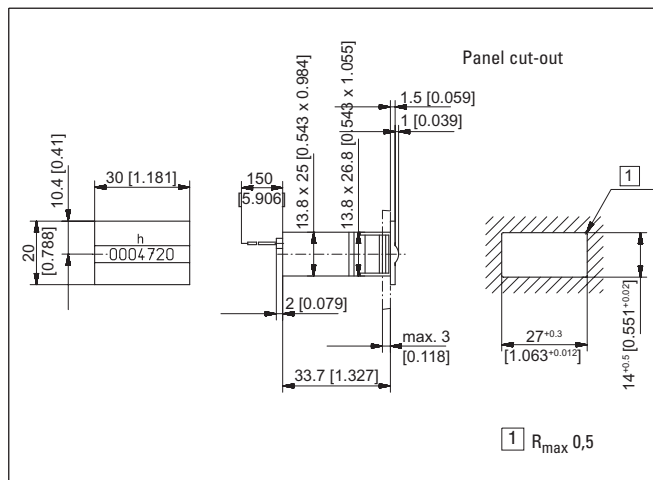
- Kullanım alanları: Zaman tespiti, ölçüm cihazlarının bakım süreleri tespiti, küçük cihazlar, UV-lambaları, gösterge panelleri v.s

Teknik Özellikler:

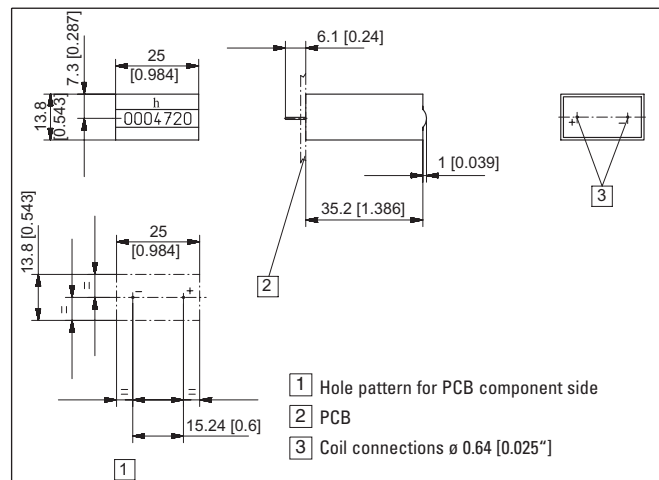
Drive:	Quartz controlled impulse counter	Height of figures:	HK 47: 4 x 1.25 mm [0.158 x 0.049"] HK 46: 4 x 1.7 mm [0.158 x 0.067"] magnified
Impulse duration:	32 ms; every 36 s = 0.01 h (Power on times < 36 s are not counted)	Reset:	no reset
Electrical connection:	HK 46.20/HK 47.20: Flying leads AWG 22, approx. 150 mm [5.906"] long (red +, black -) HK 46.80/HK 47.80: solder pins \varnothing 0.64 mm [0.025"]	Ambient temperature:	-10 ... +60 °C [14 .. 140 °F]
Display:	9999.99 h resp. 99999.99 h	Storage temperature:	-20 ... +70 °C [-4 ... 158 °F]
Figures:	white on black 1/10, 1/100 decimal red on black	Soldering temperature:	max. 265 °C, max. 3 sec.
Supply voltage:	4.5 ... 35 V DC	Mounting position:	number of wheel view horizontal (other on request)
Residual ripple:	< 1 %	Solderable and wash proof versions:	HK 46.80/HK 47.80
Current consumption:	< 1,5 mA (average)	Protection according to EN 60529:	IP 66 at HK 46.80/HK 47.80 IP 66 (only front) at HK 46.20/HK 47.20
Power consumption:	at $U_B = 5$ V DC typ. 82 mW at $U_B = 12$ V DC typ. 135 mW at $U_B = 24$ V DC typ. 135 mW max. 170 mW (count impulse every 36 s with an impulse duration of 32 ms)	Conforms to CE:	EN 61000-6-2
Accuracy:	22.5 ppm at 20 °C [68 °F]	Requirements acc. to:	EN 55011 class B
		Housing:	PC transparent; HK 47.80
		Weight:	13 ... 15 g [0.459 ... 0.529 oz]
		Options for:	
		HK 4X.20, 4X.80:	flat pin 0.8 x 2.8 mm [0.032 x 0.11"] and push-on connectors
		HK 46.20/HK 47.20:	solder pins \varnothing 0.64 mm [0.025"]

Dimensions:

HK 46.20/HK 47.20



HK 46.80/HK 47.80



Order code:

	HK 46.20	HK 47.20
	Art. no.	Art. no.
4.5 ... 35 V DC	3.050.200.383	3.060.200.383 *

	HK 46.80	HK 47.80
	Art. no.	Art. no.
4.5 ... 35 V DC	3.050.800.383	3.060.800.383

*standard stock model