

## Programlı Sayıcı MVs 16



- Sabit ayarlı 3 veya 6 haneli eksiltici programlı sayıcı
- Ön seçim sürekli görülebilir ve operasyon esnasında değiştirilebilir
- Manüel veya manüel ve otomatik sıfırlama
- Potansiyelsiz komutatör sistemi (mikro switch) Seçilen rakam sıfırlanana kadar anahtar açık kalır

- Komple kontak kılıflarıyla birlikte
- Kullanım alanları: adet sayımı, miktar sayımı ve otomasyon

### Technical data:

Electrical connection:	silver plated flat pins 0,8 x 2,8 mm with push-on connectors) , silver plated flat tabs 0,8 x 2,8 mm ( socket box)
Rated voltages:	Counting magnet: 12/24/48/115 V DC $\pm 10\%$ 24/48/115/230 V AC $\pm 10\%$ Reset magnet : 24/48/115 V DC $\pm 10\%$ 24/48/115/230 V DC $\pm 10\%$
Figures:	4 mm
Colour of housing:	grey, similar to RAL 7001
Colour of figures:	white on black
Shaft:	stainless steel
Mounting position:	optional
Service life:	appr. 100 x 10 <sup>6</sup> pulses
Weight:	with manual reset appr. 170 g, with electrical reset: appr. 210 g

Test voltage:	2000 V AC, effective
Switching contact:	1 change over contact (micro switch), Contact making in 2nd half step at zero
Load (max):	AC: 250 V AC, 2 A DC: 24 V DC, 2 A 60 V D. 0,7 A 115 V DC, 0,4 A 230 V DC, 0,2 A, at <b>resistive</b> load. at <b>inductive</b> load: Suitable spark quenching is required on inductive load, reducing the max. current to appr. 60%

### Type series:

6-digit		Description
reset	reset	
manual	man. and electr.	
-	MVs 16.03	no front bezel, plug-in socket
MVs 16.11	-	front bezel 1 with mounting holes
MVs 16.21	MVs 16.23	front bezel 2 with spring clip

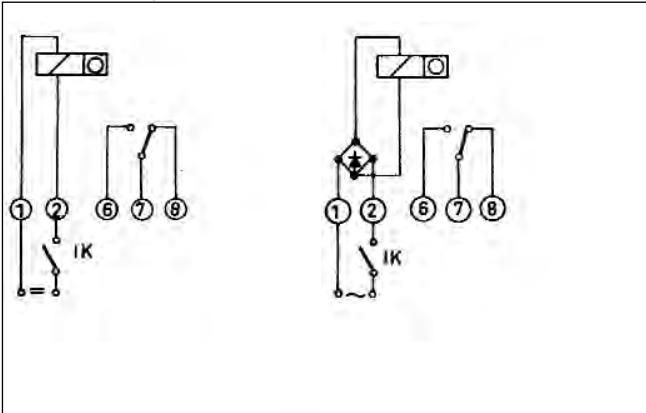
- Options:**
- Locking transparent cover (IP55) counter with front bezel 3 3 Art-No. 2.1X0. 7XX.XXX
  - Transparent locking cover (IP55) Counter with front bezel 3 Art-No. 2.1X0. 6XX.XXX
  - Flexible sealing cover K2 (IP 54) counter with front bezel size 3 Art-No. 2.1X0. 6XX.XXX

- Accessories:**
- Socket box 926.1 Art-No. G.008.443
  - Sealing cover K2 grey: Art-No. G.008.302
  - K2 black: Art-No. G.008.303
  - Front bezel F2M grey Art-No. T.008.105
  - Delivery includes flat pin connectors

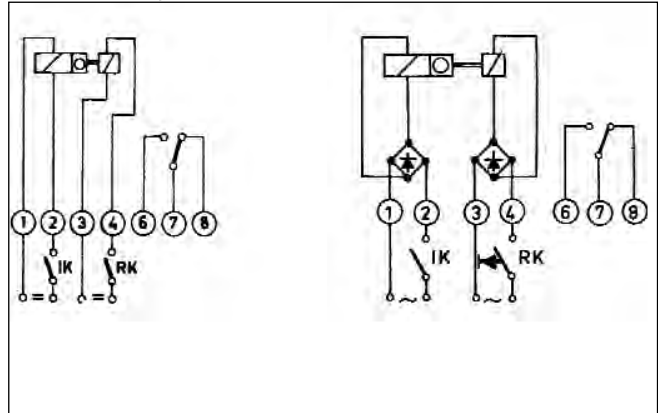
### Count mechanism:

Voltage	Model	Max. impulse-speed	Min. pulse-on-time	Min. pulse-Interval	pulse-ratio	On time	Power consumption	Max. res ripple	Ambient temperature ° C
V DC	1	25/sec	24 ms	16 ms	3:2	100 %	4 W	48 %	-10 ... +45 °C
V AC	a	18/sec	22.2ms	33.3 ms	2:3	100%	4,5 VA	-	-10 ... +45 °C

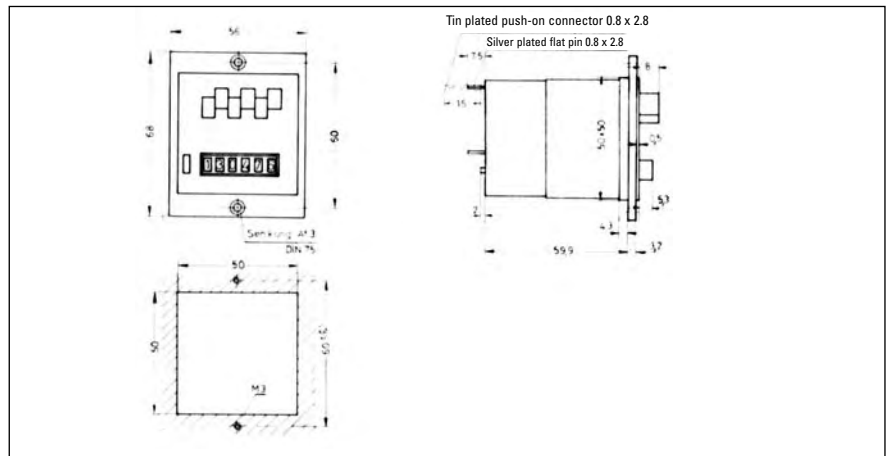
### Connection diagram manual reset:



### Connection diagram electrical reset:



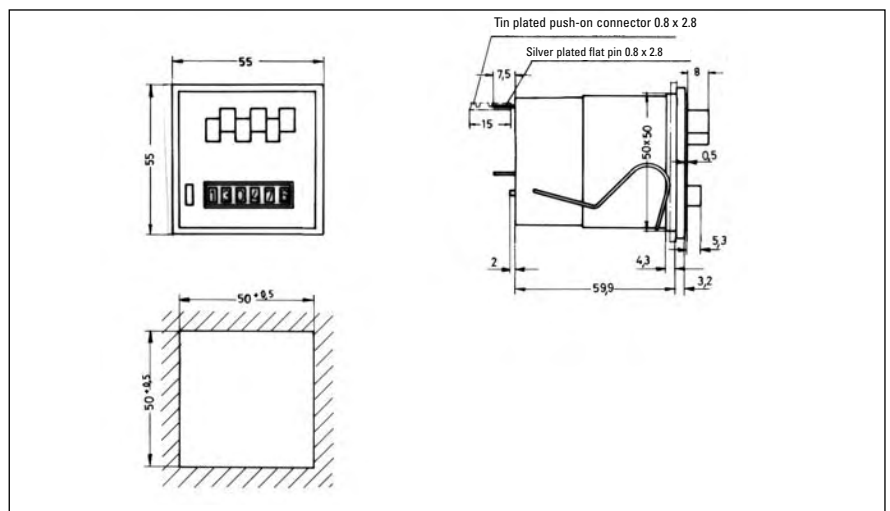
## Type MVs 16.11



### manual reset

	MVs 16.11 (6-digit)		
	24 V Art-No.	115 V Art-No.	230 V Art-No.
DC (25 Imp/s)	2.320.110.033	—	—
AC (18 Imp/s)	2.320.110.061	2.320.110.064	2.320.110.066

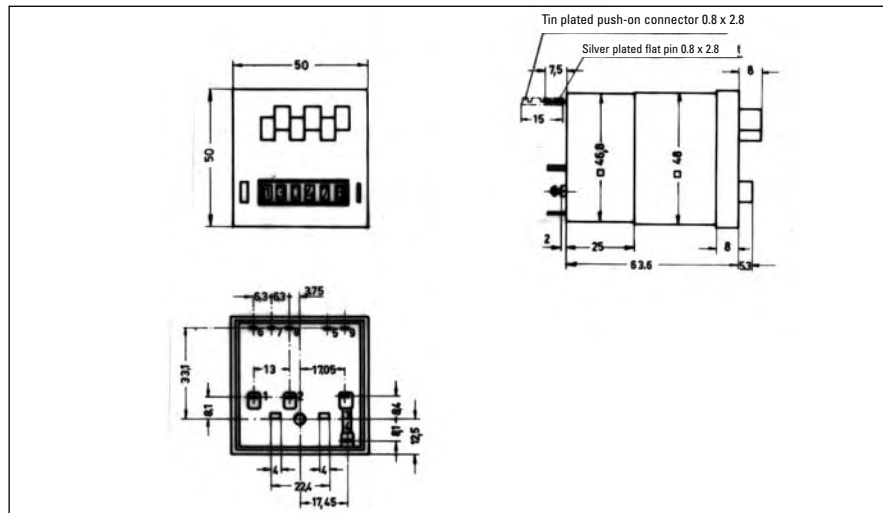
## Type MVs 16.21



### manual reset

	MVs 16.21 (6-digit)		
	24 V Art-No.	115 V Art-No.	230 V Art-No.
DC (25 Imp/s)	2.320.210.033	—	—
AC (18 Imp/s)	2.320.210.061	2.320.210.064	2.320.210.066

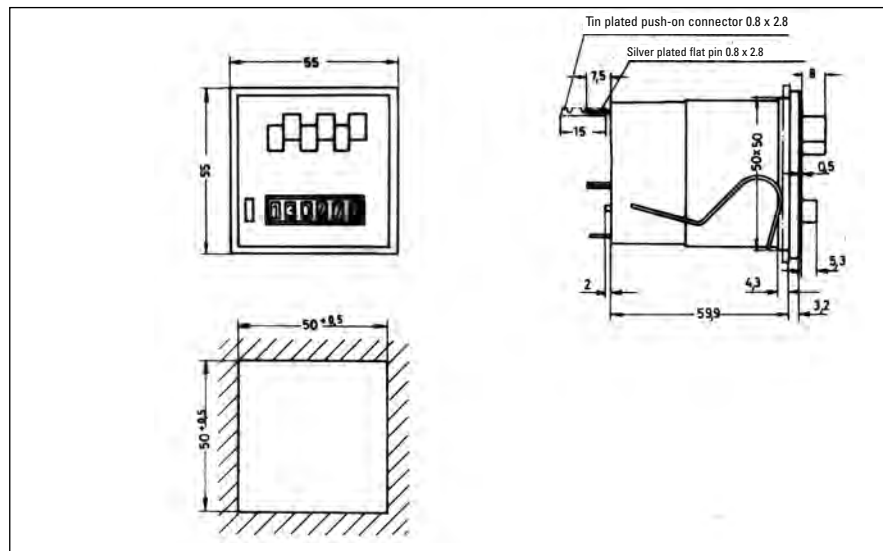
## Type MVs 16.03



### manual and electrical reset

	MVs 16.03 (6-digit)		
	24 V Art-No.	115 V Art-No.	230 V Art-No.
DC (25 Imp/s)	2.320.030.033	—	—
AC (18 Imp/s)	2.320.030.061	2.320.030.064	2.320.030.066

## Type MVs 16.23



### manual and electrical reset

	MVs 16.23 (6-digit)		
	24 V Art-No.	115 V Art-No.	230 V Art-No.
DC (25 Imp/s)	2.320.230.033	—	—
AC (18 Imp/s)	2.320.230.061	2.320.230.064	2.320.230.066

