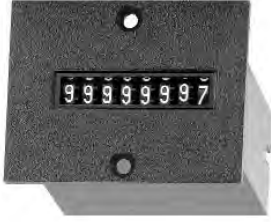


Pnömatik Puls Sayıcı PMK 14 - PMK 18



- Ekonomik fiyatlı pnömatik adet sayıcısı
- PMK 14 ve PMK 16 manüel sıfırlamalıdır
- PMK 18 sıfırlamasızdır
- Sayım işlemi piston tahrikli armatür sistemiyle gerçekleşir
- Sızıntısız
- Kullanım alanları: Pnömatikle çalışan cihazlar ve tertibatlar, ex-tehlikesi bulunan alanlar

Teknik Özellikler:

Pneumatic connections with M 5 inner thread, 4 mm depth	
Air purity:	Oil free or oil containing, the filter required must eliminate impurities > 40 µm.
Mounting position	any
L signal:	1.5 ... 8 bar ± 15 %
O signal:	≤ 0.15 bar
Max. safe pressure:	9 bar (statical)
Max. pulse frequency:	1.4 bar ≤ 50 Hz 2.5 bar ≤ 25 Hz 6 bar ≤ 10 Hz
Pulse ratio:	1:1 at max. Pulse frequency
Hose length:	at 50 Hz 0,3 m
(transmitter - counter)	at 25 Hz 0,4 m at 10 Hz 0,5 m
Height of figures:	4 mm
Colour of figures:	white on black

Counting:

Connection volume:	0.19 m ³
Options:	

- Colour of housing: black (Art.-No. see type)
- Connector for polyamide hose Ø 4 x Ø 6 mm
- Quick connection for tube outside diameter ø 4 mm.

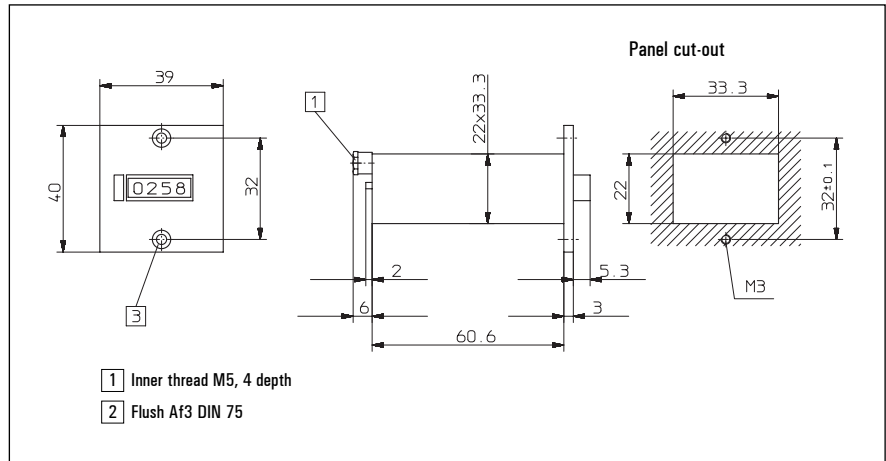
Seri :

4 digit with 0 reset	6 digit with 0 reset	8 digit without reset	Description
PMK 14.11	PMK 16.11	PMK 18.10	Panel mount 2 screw holes
PMK 14.21	PMK 16.21	PMK 18.20	Panel mount spring clip

Tip PMK 14.11



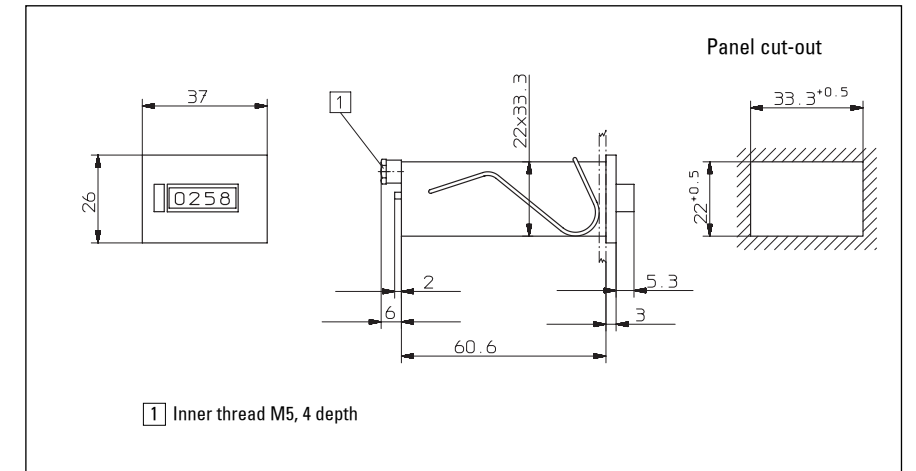
PMK 14.11, grey:	Art.-No. 3.802.110
PMK 14.11, black:	Art.-No. 3.802.111



Tip PMK 14.21



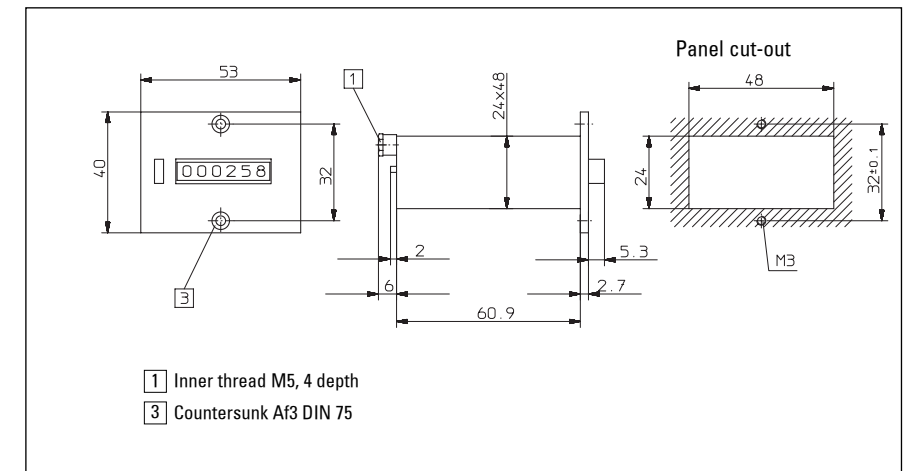
PMK 14.21, grey:	Art.-No. 3.802.210
PMK 14.21, black:	Art.-No. 3.802.211



Tip PMK 16.11



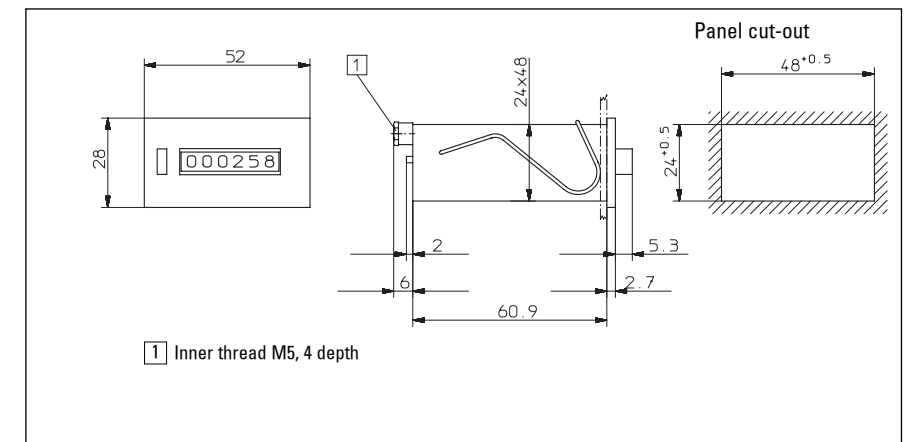
PMK 16.11, grey:	Art.-No. 3.804.110
PMK 16.11, black:	Art.-No. 3.804.111



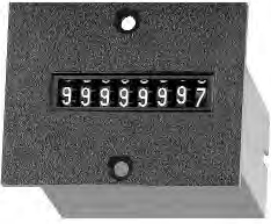
Tip PMK 16.21



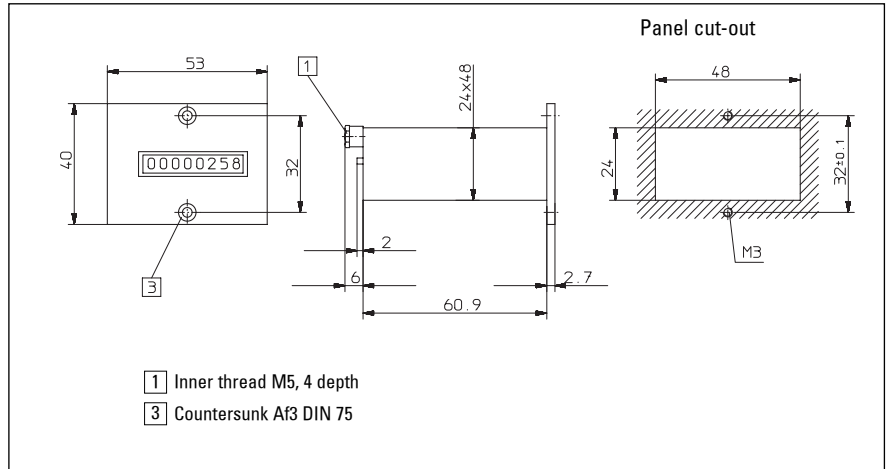
PMK 16.21, grey:	Art.-No. 3.804.210
PMK 16.21, black:	Art.-No. 3.804.211



Tip PMK 18.10



PMK 18.10, grey:	Art.-No. 3.805.100
PMK 18.10, black:	Art.-No. 3.805.101



Tip PMK 18.20



PMK 18.20, grey:	Art.-No. 3.805.200
PMK 18.20, black:	Art.-No. 3.805.201

