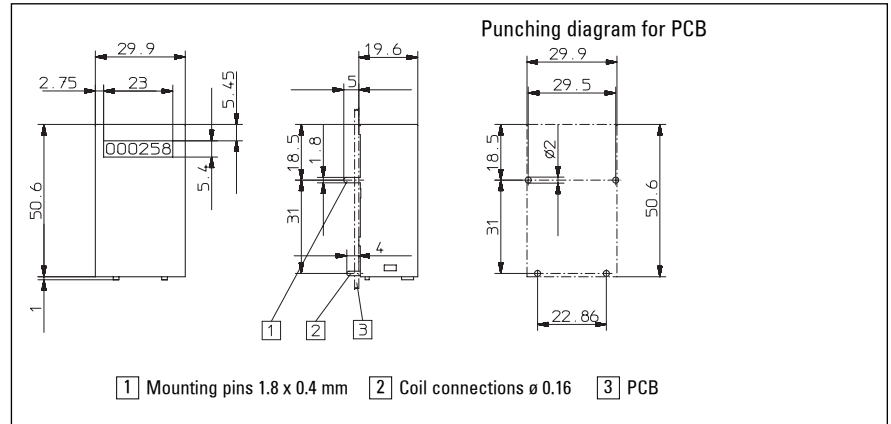
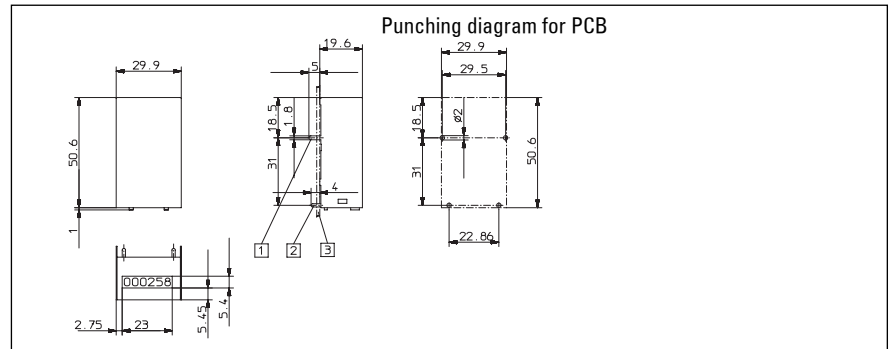


Tip W 16.60



| W 16.60 (6 digit) | 12 V Art.-No. | 24 V Art.-No. |
|----------------------|------------------|------------------|
| DC (8 Imp/s) | 1.160.601.049 | 1.160.601.050 |
| DC (10 Imp/s) | 1.160.601.012 | 1.160.601.013 |

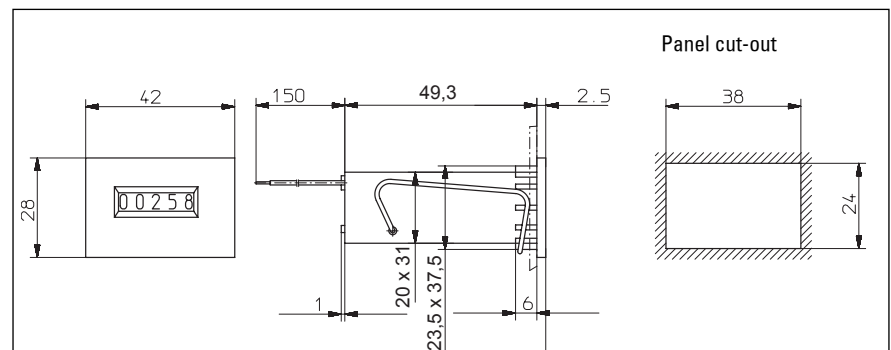
Tip W 16.70



| W 16.70 (6 digit) | 12 V Art.-No. | 24 V Art.-No. |
|----------------------|------------------|------------------|
| DC (8 Imp/s) | 1.160.701.049 | 1.160.701.050 |
| DC (10 Imp/s) | 1.160.701.012 | 1.160.701.013 |

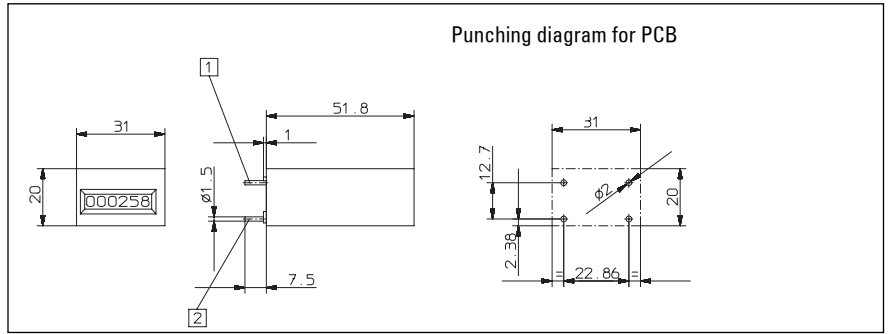
1 Mounting pins 1.8 x 0.4 mm 2 Coil connections ø 0.15 3 PCB

Tip W 16.90/W 17.90



| W 16.90 (6 digit) | 12 V Art.-No. | 24 V Art.-No. | 115 V | 230 V |
|----------------------|------------------|------------------|---------------|---------------|
| DC (8 Imp/s) | 1.160.701.049 | 1.160.701.050 | - | - |
| DC (10 Imp/s) | 1.160.701.012 | 1.160.701.013 | - | - |
| AC (10 IMP/s) | - | - | 1.160.900.054 | 1.160.900.056 |
| W 17.90 (7 digit) | 12 V Art.-No. | 24 V Art.-No. | 115 V | 230 V |
| DC (8 Imp/s) | 1.740.701.049 | 1.740.701.050 | - | - |
| DC (10 Imp/s) | 1.740.701.012 | 1.740.701.013 | - | - |
| AC (10 IMP/s) | - | - | 1.740.900.054 | 1.740.900.056 |

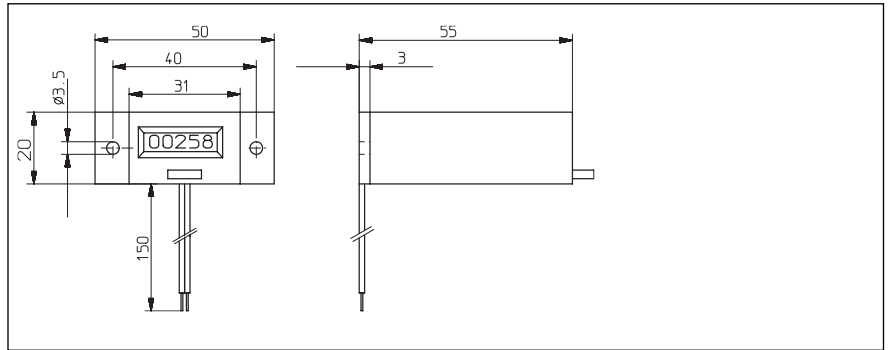
Tip W 16.80/17.80



| W 16.80 (6 digit) | 12 V Art.-No. | 24 V Art.-No. | 115 V Art.-No. | 230 V Art.-No. |
|----------------------|------------------|------------------|-------------------|-------------------|
| DC (8 Imp/s) | 1.160.800.049 | 1.160.800.050 | | |
| DC (10 Imp/s) | 1.160.800.012 | 1.160.800.013 | | |
| AC (10 Imp/s) | | 1.160.800.051 | 1.160.800.054 | 1.160.800.056 |
| W 17.80 (7 digit) | 12 V Art.-No. | 24 V Art.-No. | 115 V Art.-No. | 230 V Art.-No. |
| DC (10 Imp/s) | 1.740.800.012 | 1.740.800.013 | | |
| AC (10 Imp/s) | | 1.740.800.051 | 1.740.800.054 | 1.740.800.056 |

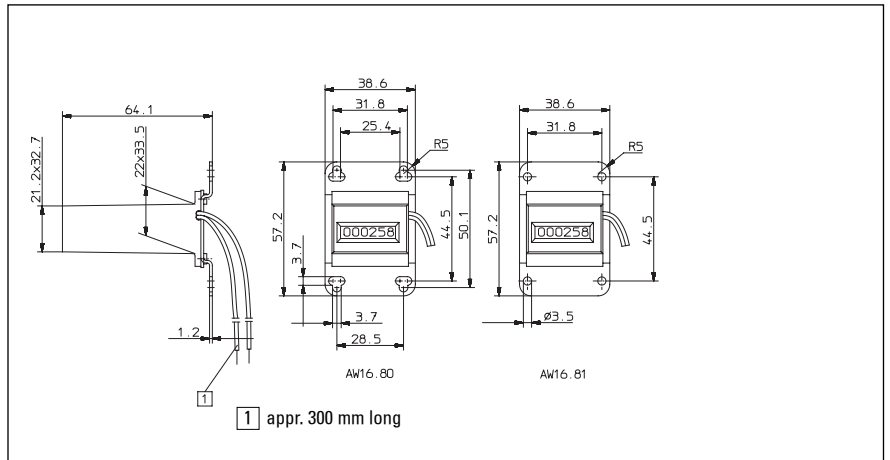
Display counter

Tip AW 16.00



| AW 16.00 (6 digit) | 12 V Art.-No. | 24 V Art.-No. | 115 V Art.-No. | 230 V Art.-No. |
|-----------------------|------------------|------------------|-------------------|-------------------|
| DC (8 Imp/s) | 1.162.001.049 | 1.162.001.050 | | |
| DC (10 Imp/s) | 1.162.001.012 | 1.162.001.013 | | |
| AC (10 Imp/s) | | 1.162.001.051 | 1.162.001.054 | 1.162.001.056 |

Tip AW 16.80 ve AW 16.81



| Type | Imp/s | 12 V DC Art.-No. | 24 V DC Art.-No. |
|----------|-------|---------------------|---------------------|
| AW 16.80 | 10 | 1.162.800.012 | 1.162.800.013 |
| AW 16.81 | 10 | 1.162.810.012 | 1.162.810.013 |